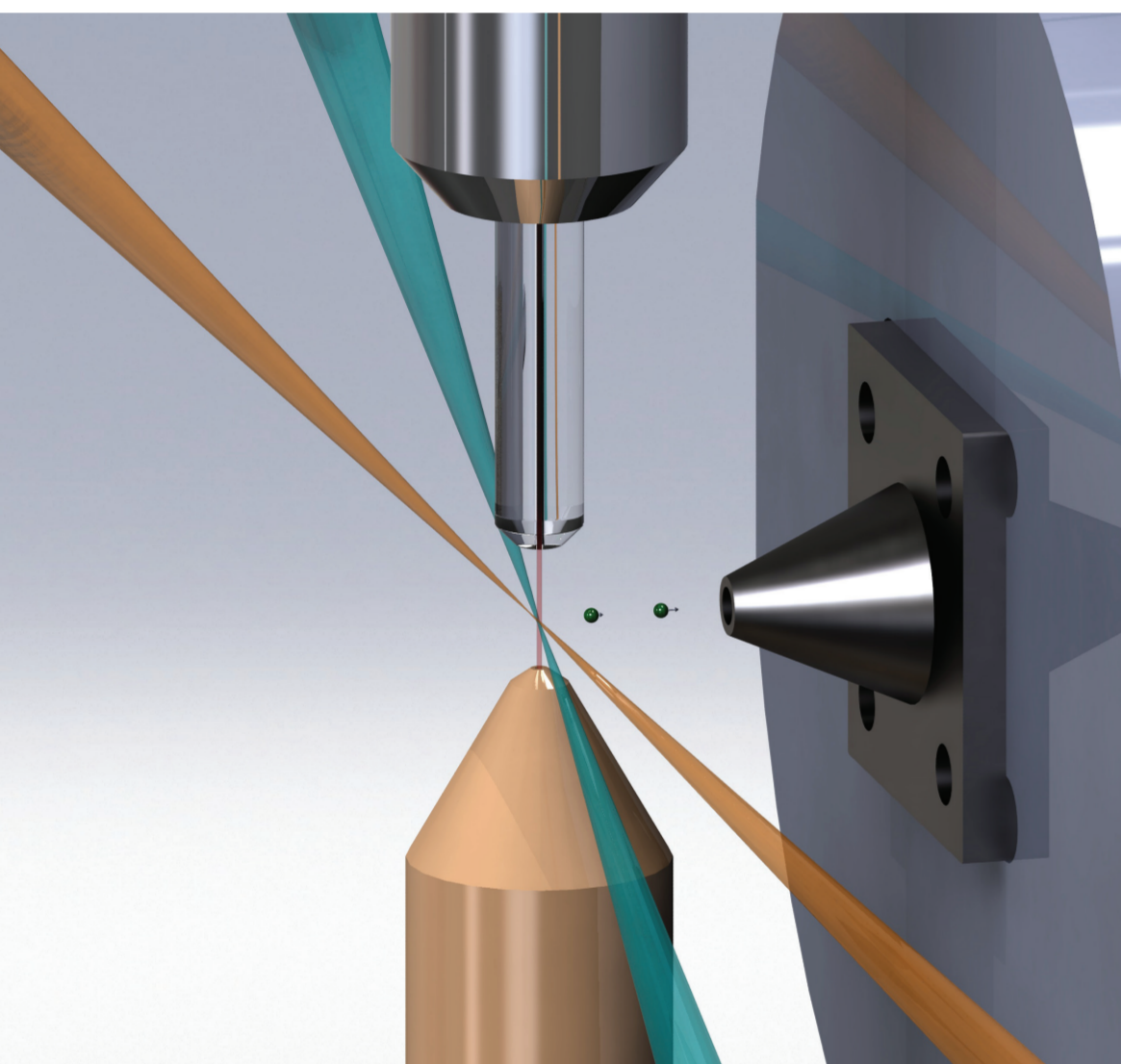




SXET

Soft X-ray in Energy and Time Workshop

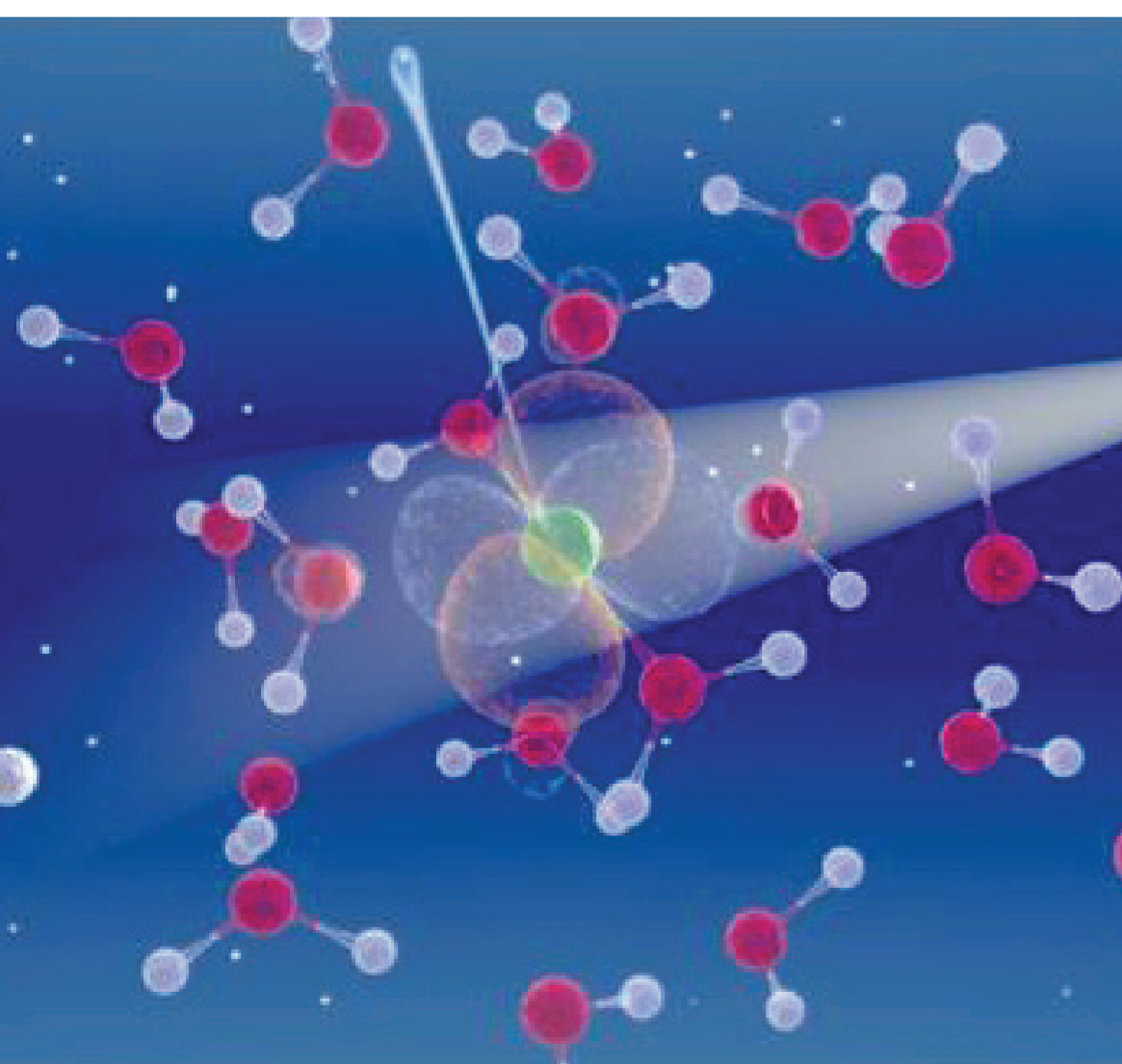
20 - 21 august 2015
Berlin-Adlershof



Over the last few years, soft X-ray absorption and emission spectroscopy as well as its resonant processes drove significantly towards the Heisenberg limit (time versus energy limit). Technical and methodological developments for high energy resolution or ultrafast time-resolved approaches allow now to address new scientific questions for solid, liquids, gases and interfaces. The upcoming satellite workshop is intended to report on the current status and new developments in view of these methods and their applications.

HZB kindly invites you to join our workshop on Soft X-ray in Energy and Time in order to start or intensify a dialogue with us about future science and your requirements for successful experiments at our light sources.

Registration Deadline 31st May, 2015
<http://hz-b.de/sxetreg>



Confirmed Invited Speakers

- Prof. Dr. Majed Chergui (EPFL)
- Prof. Dr. Akiyoshi Hishikawa (Nagoya University)
- Prof. Dr. Oliver Kühn (Universität Rostock)
- Dr. Dimitrios Manganas (MPI for Chemical Energy Conversion)
- Prof. Dr. Jon P. Marangos (Imperial College London)
- Prof. Dr. Masanari Nagasaka (IMS - Institute for Molecular Science)
- Prof. Dr. Richard James Saykally (Berkeley University)
- Prof. Dr. Albert Stolow (National Research Council Canada)
- Prof. Dr. Jeroen van den Brink (IFW-Dresden)
- Prof. Dr. Josh Vura-Weis (University of Illinois)
- Dr. Lothar Weinhardt (KIT)
- Dr. Bernd Winter (HZB)
- Prof. Dr. Martin Wolf (FHI)
- Dr. Tom Regier (Canadian Light Source Inc.)

<http://hz-b.de/sxet>